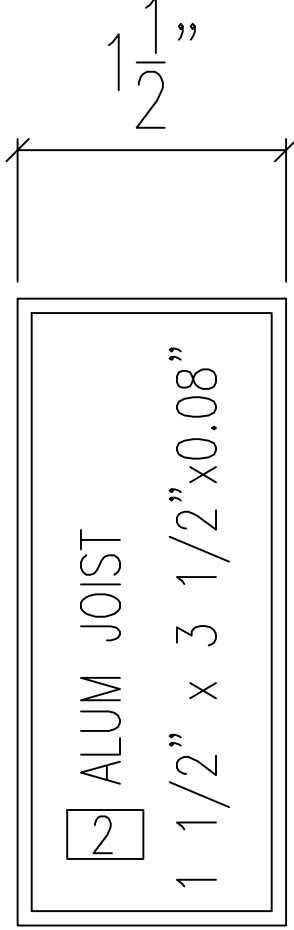
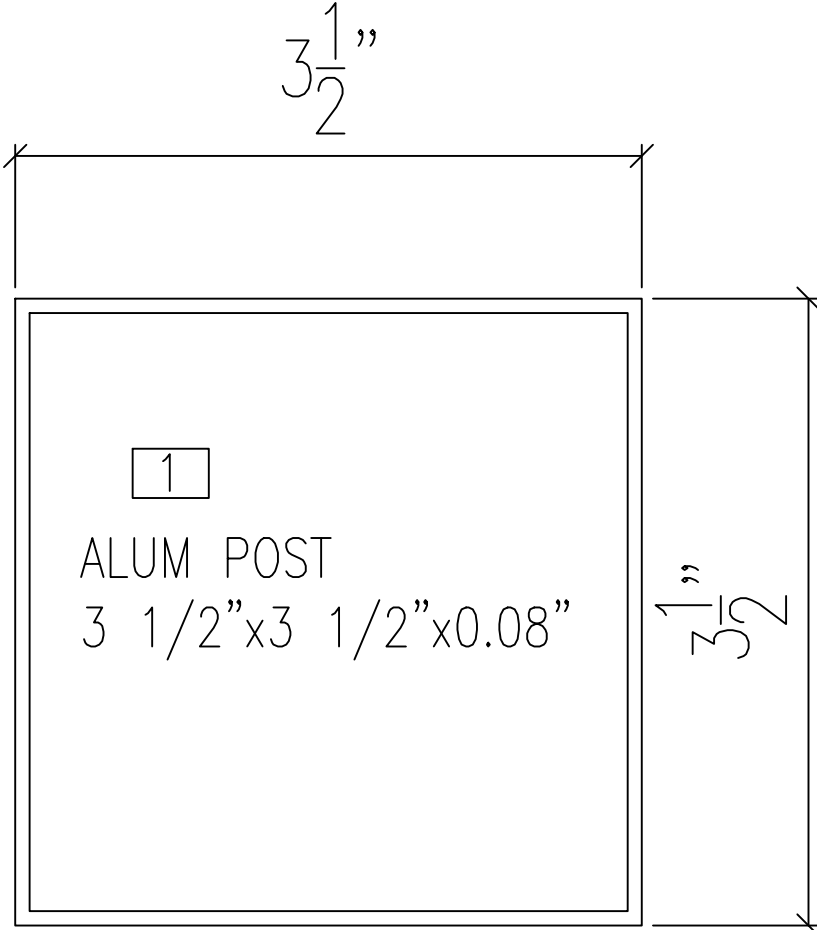
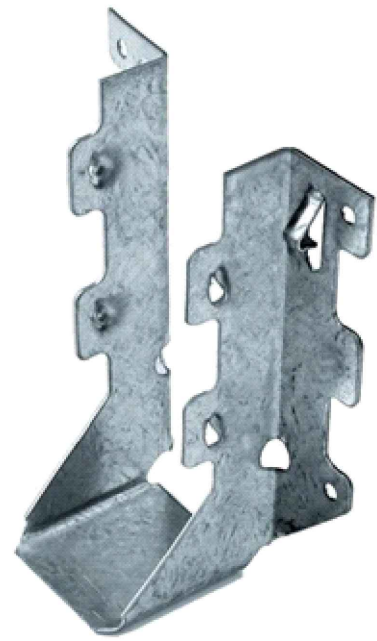


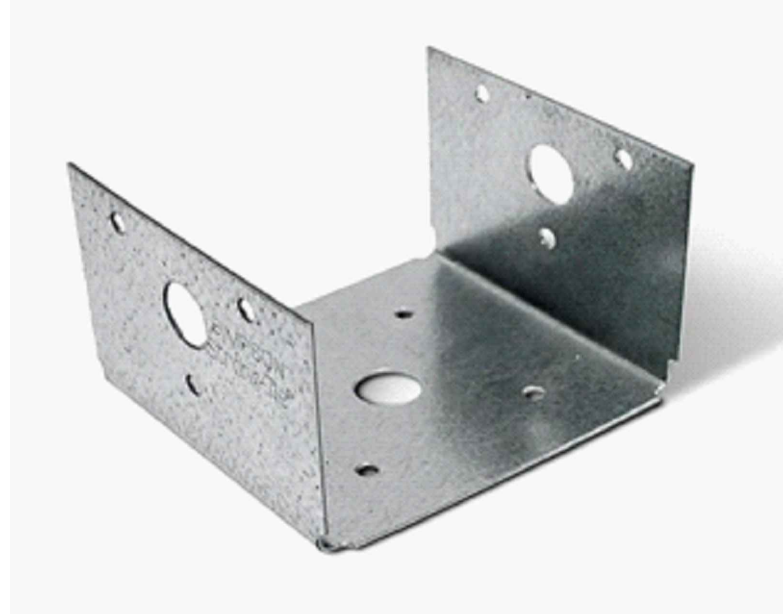
SUPPORT BRACKET 3
for ALUM JOISTS



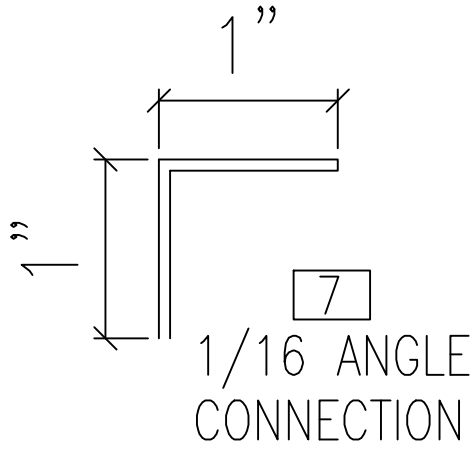
General Notes:

ALUMINUM DECK FRAME

- 1 Extruded Aluminum Post – 6063-T6
Size: 3 1/2" x 3 1/2" x 0.08" thk.
Posts to be spaced at 72" centers max.
- 2 Extruded Aluminum Joist – 6063-T6
Size: 3 1/2" x 1 1/2" x 0.08" thk.
Joists to be spaced at 12" centers
- 3 Support Bracket for Alum Joist–Galv. Steel
Size: 3.66" x 3.17" x 18Ga.
- 4 Support Bracket for Alum Post–Galv. Steel
Size: 3.66" x 3.25" x 18Ga.
- 5 Concrete Screws:
Size: 1/4" Dia. x 1 1/2" Hilti
- 6 Stainless Screws: Self Tapping
Size: #12 x 1"
- 7 Aluminum Angle: Size: 1"x1"x1/16"
Connection Brackets



SUPPORT BRACKET 4
for ALUM POST



General Specifications for Alum Deck Frame

- (i) CAN-S157-M83 for Aluminum
- (ii) National Building Code of Canada-2015
- (iii) Ontario Building Code-2012
- (iv) Design Load for Deck to be 50 lb/sq.ft.
- (v) Concrete Posts to be Minimum 8" Dia.
- (vi) Footings to be Minimum 48" below Frost Line



INDUSTRIAL/COMMERCIAL ALUMINUM DECK
FRAMING GENERAL NOTES STYLE ADF-I-C

DATE: APR. 28/2021	PROJECT NO.
SCALE: NTS.	DWG NO.
DRAWN: JAY SINGH	ADF-I-C6